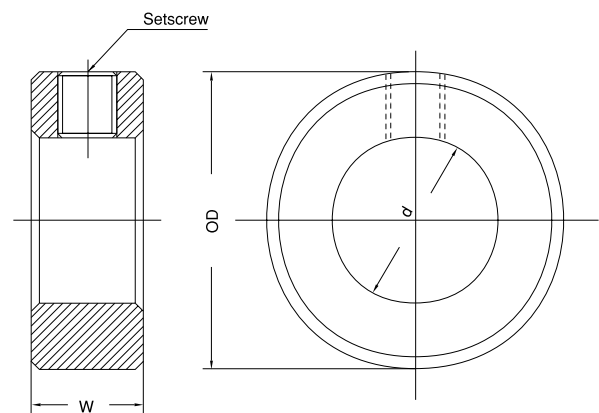
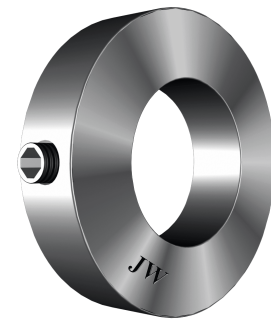


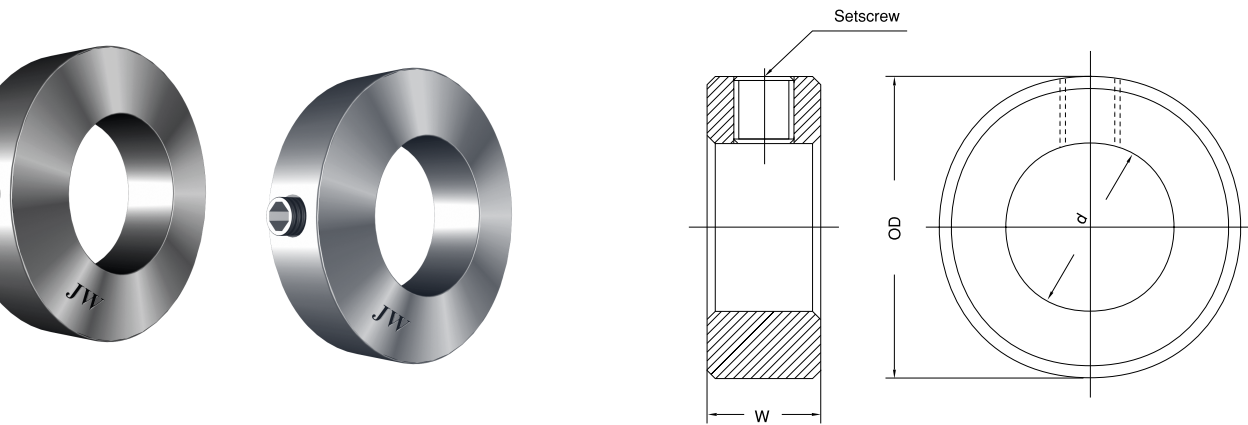
SOLID SHAFT COLLARS

Part No.	OD	d	W	Setscrew	App. Wt. (Lbs.)
SC 002	0.438	1/8	0.250	6-32	0.008
SC 003	0.438	3/16	0.250	8-32	0.008
SC 004	0.500	1/4	0.313	10-32	0.012
SC 005	0.625	5/16	0.313	10-32	0.020
SC 006	0.750	3/8	0.375	1/4-20	0.032
SC 007	0.875	7/16	0.438	1/4-20	0.052
SC 008	1.000	1/2	0.438	1/4-20	0.068
SC 009	1.000	9/16	0.438	1/4-20	0.064
SC 010	1.125	5/8	0.500	5/16-18	0.092
SC 011	1.250	11/16	0.563	5/16-18	0.128
SC 012	1.250	3/4	0.563	5/16-18	0.120
SC 013	1.313	13/16	0.563	5/16-18	0.124
SC 014	1.500	7/8	0.563	5/16-18	0.176
SC 015	1.625	15/16	0.563	5/16-18	0.160
SC 100	1.625	1	0.625	5/16-18	0.220
SC 101	1.750	1-1/16	0.625	5/16-18	0.256
SC 102	1.750	1-1/8	0.625	5/16-18	0.236
SC 103	2.000	1-3/16	0.688	3/8-16	0.380
SC 104	2.000	1-1/4	0.688	3/8-16	0.352
SC 105	2.125	1-5/16	0.688	3/8-16	0.404
SC 106	2.125	1-3/8	0.750	3/8-16	0.412
SC 107	2.250	1-7/16	0.813	3/8-16	0.476
SC 108	2.250	1-1/2	0.813	3/8-16	0.448
SC 109	2.500	1-9/16	0.813	3/8-16	0.660
SC 110	2.500	1-5/8	0.813	3/8-16	0.620
SC 111	2.500	1-11/16	0.813	3/8-16	0.590
SC 112	2.750	1-3/4	0.875	1/2-13	0.710
SC 113	2.750	1-13/16	0.875	1/2-13	0.730
SC 114	2.750	1-7/8	0.875	1/2-13	0.750
SC 115	3.000	1-15/16	0.875	1/2-13	0.980
SC 200	3.000	2	0.875	1/2-13	0.930
SC 202	3.000	2-1/8	0.875	1/2-13	0.513
SC 203	3.250	2-3/16	0.938	1/2-13	0.725
SC 204	3.250	2-1/4	0.938	1/2-13	0.675
SC 205	3.250	2-5/16	0.938	1/2-13	1.040
SC 206	3.250	2-3/8	0.938	1/2-13	0.980
SC 207	3.500	2-7/16	1.000	1/2-13	1.340
SC 208	3.500	2-1/2	1.000	1/2-13	1.260
SC 209	3.750	2-9/16	1.000	1/2-13	1.580
SC 210	4.000	2-5/8	1.125	1/2-13	2.180
SC 211	4.000	2-11/16	1.125	1/2-13	2.080
SC 212	4.000	2-3/4	1.125	1/2-13	2.020
SC 214	4.250	2-7/8	1.125	1/2-13	2.320
SC 215	4.250	2-15/16	1.125	1/2-13	2.240
SC 300	4.250	3	1.125	1/2-13	2.160
SC 303	4.250	3-3/16	1.125	1/2-13	2.550
SC 307	4.500	3-7/16	1.125	1/2-13	2.700
SC 315	5.000	3-15/16	1.125	1/2-13	3.050
SC 407	6.000	4-7/16	1.375	5/8-11	5.400
SC 415	6.438	4-15/16	1.375	5/8-11	5.000



Solid shaft collars are zinc plated solid steel.

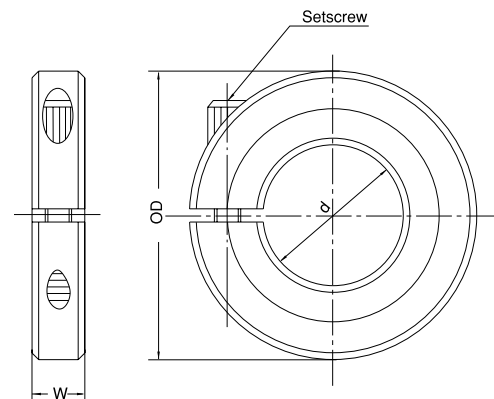
STAINLESS STEEL SHAFT COLLARS



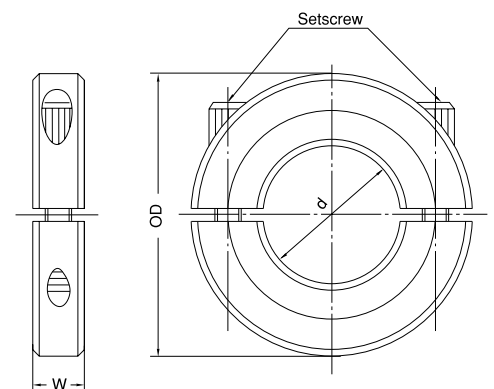
Part No.	OD	d	W	Setscrew	App. Wt. (Lbs.)
SC 002SS	0.438	1/8	0.250	6-32	0.008
SC 003SS	0.438	3/16	0.250	8-32	0.008
SC 004SS	0.500	1/4	0.313	10-32	0.012
SC 005SS	0.625	5/16	0.313	10-32	0.020
SC 006SS	0.750	3/8	0.375	1/4-20	0.032
SC 007SS	0.875	7/16	0.438	1/4-20	0.052
SC 008SS	1.000	1/2	0.438	1/4-20	0.068
SC 009SS	1.000	9/16	0.438	1/4-20	0.064
SC 010SS	1.125	5/8	0.500	5/16-18	0.092
SC 011SS	1.250	11/16	0.563	5/16-18	0.128
SC 012SS	1.250	3/4	0.563	5/16-18	0.120
SC 013SS	1.313	13/16	0.563	5/16-18	0.124
SC 014SS	1.500	7/8	0.563	5/16-18	0.176
SC 015SS	1.625	15/16	0.563	5/16-18	0.160
SC 100SS	1.625	1	0.625	5/16-18	0.220
SC 101SS	1.750	1-1/16	0.625	5/16-18	0.256
SC 102SS	1.750	1-1/8	0.625	5/16-18	0.236
SC 103SS	2.000	1-3/16	0.688	3/8-16	0.380
SC 104SS	2.000	1-1/4	0.688	3/8-16	0.352
SC 105SS	2.125	1-5/16	0.688	3/8-16	0.404
SC 106SS	2.125	1-3/8	0.750	3/8-16	0.412
SC 107SS	2.250	1-7/16	0.813	3/8-16	0.476
SC 108SS	2.250	1-1/2	0.813	3/8-16	0.448
SC 109SS	2.500	1-9/16	0.813	3/8-16	0.660
SC 110SS	2.500	1-5/8	0.813	3/8-16	0.620
SC 111SS	2.500	1-11/16	0.813	3/8-16	0.590
SC 112SS	2.750	1-3/4	0.875	1/2-13	0.710
SC 115SS	3.000	1-15/16	0.875	1/2-13	0.980
SC 200SS	3.000	2	0.875	1/2-13	0.980

SPLIT SHAFT COLLARS

Part No.		OD	d	W	Setscrew	App. Wt. (Lbs.)
Single Split	Double Split					
SSC 003	DSC 003	0.625	3/16	0.313	4-40	0.008
SSC 004	DSC 004	0.688	1/4	0.313	4-40	0.012
SSC 005	DSC 005	0.688	5/16	0.313	4-40	0.020
SSC 006	DSC 006	0.875	3/8	0.343	6-32	0.032
SSC 007	DSC 007	0.938	7/16	0.375	6-32	0.052
SSC 008	DSC 008	1.125	1/2	0.406	8-32	0.068
SSC 009	DSC 009	1.250	9/16	0.437	10-32	0.064
SSC 010	DSC 010	1.313	5/8	0.437	10-32	0.064
SSC 011	DSC 011	1.375	11/16	0.437	10-32	0.128
SSC 012	DSC 012	1.500	3/4	0.500	1/4-28	0.120
SSC 013	DSC 013	1.625	13/16	0.500	1/4-28	0.124
SSC 014	DSC 014	1.625	7/8	0.500	1/4-28	0.176
SSC 015	DSC 015	1.750	15/16	0.500	1/4-28	0.160
SSC 100	DSC 100	1.750	1	0.500	1/4-28	0.220
SSC 101	DSC 101	1.875	1-1/16	0.500	1/4-28	0.256
SSC 102	DSC 102	1.875	1-1/8	0.500	1/4-28	0.236
SSC 103	DSC 103	2.063	1-3/16	0.500	1/4-28	0.380
SSC 104	DSC 104	2.063	1-1/4	0.500	1/4-28	0.352
SSC 105	DSC 105	2.125	1-5/16	0.563	1/4-28	0.404
SSC 106	DSC 106	2.250	1-3/8	0.563	1/4-28	0.412
SSC 107	DSC 107	2.250	1-7/16	0.563	1/4-28	0.476
SSC 108	DSC 108	2.375	1-1/2	0.563	1/4-28	0.448
SSC 109	DSC 109	2.375	1-9/16	0.563	1/4-28	0.660
SSC 110	DSC 110	2.625	1-5/8	0.688	5/16-24	0.620
SSC 111	DSC 111	2.750	1-11/16	0.688	5/16-24	0.590
SSC 112	DSC 112	2.750	1-3/4	0.688	5/16-24	0.710
SSC 113	DSC 113	2.875	1-13/16	0.688	5/16-24	0.730
SSC 114	DSC 114	2.875	1-7/8	0.688	5/16-24	0.750
SSC 115	DSC 115	3.000	1-15/16	0.688	5/16-24	0.980
SSC 200	DSC 200	3.000	2	0.688	5/16-24	0.930
SSC 202	DSC 202	3.250	2-1/8	0.750	5/16-24	0.513
SSC 203	DSC 203	3.250	2-3/16	0.750	5/16-24	0.725
SSC 204	DSC 204	3.250	2-1/4	0.750	5/16-24	0.675
SSC 205	DSC 205	3.375	2-5/16	0.750	5/16-24	1.040
SSC 206	DSC 206	3.500	2-3/8	0.750	5/16-24	0.980
SSC 207	DSC 207	3.500	2-7/16	0.750	5/16-24	1.340
SSC 208	DSC 208	3.750	2-1/2	0.875	3/8-24	1.260
SSC 209	DSC 209	3.875	2-9/16	0.875	3/8-24	1.580
SSC 210	DSC 210	3.875	2-5/8	0.875	3/8-24	2.180
SSC 211	DSC 211	4.000	2-11/16	0.875	3/8-24	2.080
SSC 212	DSC 212	4.000	2-3/4	0.875	3/8-24	2.020
SSC 214	DSC 214	4.250	2-7/8	0.875	3/8-24	2.320
SSC 215	DSC 215	4.250	2-15/16	0.875	3/8-24	2.240
SSC 300	DSC 300	4.250	3	0.875	3/8-24	2.160



Single



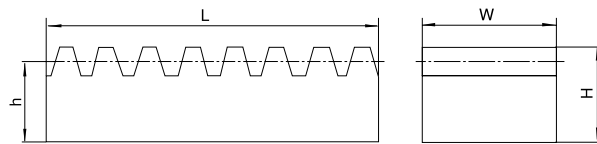
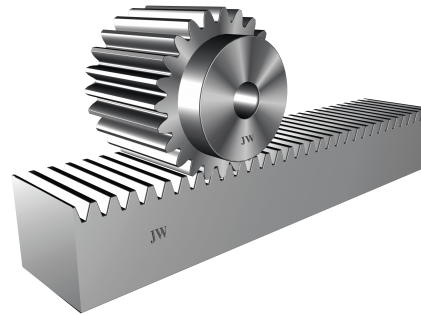
Double

Double split shaft collars are black oxide finished steel.

MACHINED GEAR RACK

Standard Face Width Steel 14-1/2° & 20° Pressure Angle

Part No.		Pitch	W	H	h	App. Wt. (Lbs.)
14-1/2°	20°					
R3X2'	TR3X2'	3	3	1-1/2	1.167	24.00
R3X4'	TR3X4'	3	3	1-1/2	1.167	48.00
R3X6'	TR3X6'	3	3	1-1/2	1.167	72.00
R4X2'	TR4X2'	4	2	1-1/2	1.250	17.40
R4X4'	TR4X4'	4	2	1-1/2	1.250	34.80
R4X6'	TR4X6'	4	2	1-1/2	1.250	52.20
RA4X2'		4	2	2	1.750	23.60
RA4X4'		4	2	2	1.750	47.20
RA4X6'		4	2	2	1.750	70.80
R5X2'	TR5X2'	5	1-3/4	1-1/4	1.050	12.80
R5X4'	TR5X4'	5	1-3/4	1-1/4	1.050	25.60
R5X6'	TR5X6'	5	1-3/4	1-1/4	1.050	38.40
RA5X2'		5	1-3/4	1-1/2	1.300	16.00
RA5X4'		5	1-3/4	1-1/2	1.300	32.00
RA5X6'		5	1-3/4	1-1/2	1.300	48.00
R6X2'		6	1-1/2	1	0.833	8.60
R6X4'		6	1-1/2	1	0.833	17.20
R6X6'		6	1-1/2	1	0.833	25.80
RA6X2'	TR6X2'	6	1-1/2	1-1/2	1.333	13.80
RA6X4'	TR6X4'	6	1-1/2	1-1/2	1.333	27.60
RA6X6'	TR6X6'	6	1-1/2	1-1/2	1.333	41.40
R8X2'		8	1-1/4	3/4	0.625	5.20
R8X4'		8	1-1/4	3/4	0.625	10.40
R8X6'		8	1-1/4	3/4	0.625	15.60
RA8X2'	TR8X2'	8	1-1/4	1-1/4	1.125	9.80
RA8X4'	TR8X4'	8	1-1/4	1-1/4	1.125	19.60
RA8X6'	TR8X6'	8	1-1/4	1-1/4	1.125	29.40
R10X2'		10	1	5/8	0.525	3.60
R10X4'		10	1	5/8	0.525	7.20
R10X6'		10	1	5/8	0.525	10.80
RA10X2'	TR10X2'	10	1	1	0.900	6.00
RA10X4'	TR10X4'	10	1	1	0.900	12.00
RA10X6'	TR10X6'	10	1	1	0.900	18.00
R12X2'		12	3/4	1/2	0.417	2.00
R12X4'		12	3/4	1/2	0.417	4.00
R12X6'		12	3/4	1/2	0.417	6.00
RA12X2'	TR12X2'	12	3/4	3/4	0.667	3.40
RA12X4'	TR12X4'	12	3/4	3/4	0.667	6.80
RA12X6'	TR12X6'	12	3/4	3/4	0.667	10.20
R16X2'		16	5/16	5/16	0.250	0.50
R16X4'		16	5/16	5/16	0.250	1.00
R16X6'		16	5/16	5/16	0.250	1.50
RA16X2'	TR16X2'	16	1/2	1/2	0.438	1.52
RA16X4'	TR16X4'	16	1/2	1/2	0.438	3.04
RA16X6'	TR16X6'	16	1/2	1/2	0.438	4.56
R20X2'	TR20X2'	20	3/8	3/8	0.325	0.84
R20X4'	TR20X4'	20	3/8	3/8	0.325	1.68
R20X6'	TR20X6'	20	3/8	3/8	0.325	2.52
R24X2'		24	1/4	1/4	0.208	0.38
R24X4'		24	1/4	1/4	0.208	0.76
R24X6'		24	1/4	1/4	0.208	1.14



Wide Face Width Steel 20° Pressure Angle

Part No.	Pitch	W	H	h	App. Wt. (Lbs.)
R204X2'	4	3-1/2	2	1.750	41.00
R204X4'	4	3-1/2	2	1.750	82.00
R204X6'	4	3-1/2	2	1.750	123.00
R205X2'	5	2-1/2	1-1/2	1.300	22.40
R205X4'	5	2-1/2	1-1/2	1.300	44.80
R205X6'	5	2-1/2	1-1/2	1.300	67.20
R206X2'	6	2	1-1/2	1.333	17.00
R206X4'	6	2	1-1/2	1.333	34.00
R206X6'	6	2	1-1/2	1.333	51.00
R208X2'	8	1-1/2	1-1/2	1.375	13.80
R208X4'	8	1-1/2	1-1/2	1.375	27.60
R208X6'	8	1-1/2	1-1/2	1.375	41.30
R2010X2'	10	1-1/4	1-1/4	1.150	9.00
R2010X4'	10	1-1/4	1-1/4	1.150	18.00
R2010X6'	10	1-1/4	1-1/4	1.150	27.00
R2012X2'	12	1	1	0.917	6.40
R2012X4'	12	1	1	0.917	12.80
R2012X6'	12	1	1	0.917	19.20
R2016X2'	16	3/4	3/4	0.688	3.40
R2016X4'	16	3/4	3/4	0.688	6.80
R2016X6'	16	3/4	3/4	0.688	10.20
R2020X2'	20	1/2	1/2	0.450	0.80
R2020X4'	20	1/2	1/2	0.450	1.60
R2020X6'	20	1/2	1/2	0.450	2.50

Contact JointWay offices to purchase made-to-order spur gears.