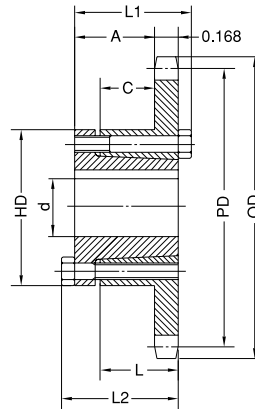


No. 35 Q-BUSHED SPROCKETS

3/8" Pitch



Type B

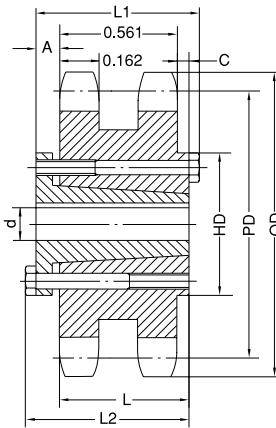
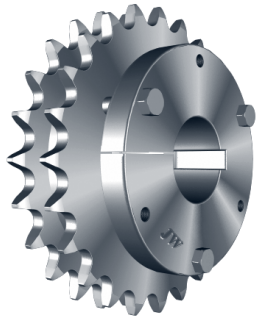
Single Q-Bushed

No. of Teeth	Part No.	Bushing	OD	PD	Max. Bore d	L1	L2	HD	A	C	L	App. Wt. (Lbs.)	
												With Hub	Sprocket
19	35JA19H	JA	2.470	2.278	1-1/4	1-1/8	1-1/8	2-1/16	53/64	29/64	5/8	1.18	0.28
20	35JA20H	JA	2.590	2.397	1-1/4	1-1/8	1-1/8	2-1/16	53/64	29/64	5/8	1.22	0.32
21	35JA21H	JA	2.710	2.516	1-1/4	1-1/8	1-1/8	2-1/16	53/64	29/64	5/8	1.24	0.34
22	35JA22H	JA	2.830	2.635	1-1/4	1-1/8	1-1/8	2-1/16	53/64	29/64	5/8	1.26	0.36
23	35JA23H	JA	2.950	2.754	1-1/4	1-1/8	1-1/8	2-1/16	53/64	29/64	5/8	1.28	0.38
24	35JA24H	JA	3.070	3.873	1-1/4	1-1/8	1-1/8	2-1/16	53/64	29/64	5/8	1.30	0.40
25	35JA25H	JA	3.190	2.992	1-1/4	1-1/8	1-1/8	2-1/16	53/64	29/64	5/8	1.34	0.44
26	35JA26H	JA	3.310	3.111	1-1/4	1-1/8	1-1/8	2-1/16	53/64	29/64	5/8	1.36	0.46
27	35JA27H	JA	3.430	3.230	1-1/4	1-1/8	1-1/8	2-1/16	53/64	29/64	5/8	1.38	0.48
28	35JA28H	JA	3.550	3.349	1-1/4	1-1/8	1-1/8	2-1/16	53/64	29/64	5/8	1.42	0.52
30	35JA30H	JA	3.790	3.588	1-1/4	1-1/8	1-1/8	2-1/16	53/64	29/64	5/8	1.46	0.56
32	35JA32H	JA	4.030	3.826	1-1/4	1-1/8	1-1/8	2-1/16	53/64	29/64	5/8	1.68	0.78
35	35JA35H	JA	4.390	4.183	1-1/4	1-1/8	1-1/8	2-1/16	53/64	29/64	5/8	1.94	1.04
36	35SH36H	SH	4.510	4.303	1-5/8	1-7/16	1-7/16	2-11/16	1-5/64	41/64	13/16	2.06	1.06
40	35SH40	SH	4.990	4.780	1-5/8	1-7/16	1-7/16	2-11/16	1-5/64	41/64	13/16	2.18	1.18
42	35SH42	SH	5.230	5.018	1-5/8	1-7/16	1-7/16	2-11/16	1-5/64	41/64	13/16	2.26	1.26
45	35SH45	SH	5.590	5.376	1-5/8	1-7/16	1-7/16	2-11/16	1-5/64	41/64	13/16	2.40	1.40
48	35SH48	SH	5.950	5.734	1-5/8	1-7/16	1-7/16	2-11/16	1-5/64	41/64	13/16	2.58	1.58
54	35SH54	SH	6.660	6.449	1-5/8	1-7/16	1-7/16	2-11/16	1-5/64	41/64	13/16	2.88	1.88
60	35SH60	SH	7.380	7.165	1-5/8	1-7/16	1-7/16	2-11/16	1-5/64	41/64	13/16	3.28	2.28
70	35SH70	SH	8.580	8.358	1-5/8	1-7/16	1-7/16	2-11/16	1-5/64	41/64	13/16	3.94	2.94
72	35SH72	SH	8.810	8.597	1-5/8	1-7/16	1-7/16	2-11/16	1-5/64	41/64	13/16	4.14	3.14
80	35SH80	SH	9.770	9.552	1-5/8	1-7/16	1-7/16	2-11/16	1-5/64	41/64	13/16	4.68	3.68
84	35SH84	SH	10.250	10.029	1-5/8	1-7/16	1-7/16	2-11/16	1-5/64	41/64	13/16	4.86	3.96
96	35SH96	SH	11.680	11.461	1-5/8	1-7/16	1-7/16	2-11/16	1-5/64	41/64	13/16	6.38	5.38
112	35SH112	SH	13.590	13.371	1-5/8	1-7/16	1-7/16	2-11/16	1-5/64	41/64	13/16	7.60	6.60

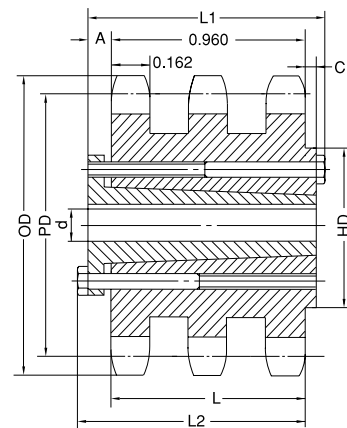
H - Denotes hardened teeth.

Q-BUSHED SPROCKETS No. 35

3/8" Pitch



Type C



Type C1

Double Q-Bushed

No. of Teeth	Part No.	Type	Bushing	OD	PD	Max. Bore d	L1	L2	HD	A	C	L	App. Wt. (Lbs.)	
													With Hub	Sprocket
68	D35SDS68	C	SDS	8.340	8.120	2	1-1/2	1-1/2	3-3/16	9/16	3/16	3/4	8.40	7.40
72	D35SDS72	C	SDS	8.810	8.597	2	1-1/2	1-1/2	3-3/16	9/16	3/16	3/4	9.28	8.28
76	D35SDS76	C	SDS	9.290	9.074	2	1-1/2	1-1/2	3-3/16	9/16	3/16	3/4	10.32	9.32
84	D35SK84	C	SK	10.250	10.029	2-5/8	2-1/8	2-1/8	3-7/8	5/8	11/16	1-1/4	13.94	11.94
95	D35SK95	C	SK	11.560	11.342	2-5/8	2-1/8	2-1/8	3-7/8	5/8	11/16	1-1/4	17.22	15.22
96	D35SK96	C	SK	11.680	11.461	2-5/8	2-1/8	2-1/8	3-7/8	5/8	11/16	1-1/4	17.74	15.74
102	D35SK102	C	SK	12.400	12.177	2-5/8	2-1/8	2-1/8	3-7/8	5/8	11/16	1-1/4	19.76	17.76

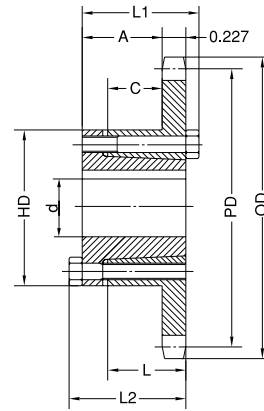
Triple Q-Bushed

No. of Teeth	Part No.	Type	Bushing	OD	PD	Max. Bore d	L1	L2	HD	A	C	L	App. Wt. (Lbs.)	
													With Hub	Sprocket
68	T35SK68	C1	SK	8.340	8.120	2-5/8	2-1/8	2-1/8	3-7/8	5/8	19/64	1-1/4	13.90	11.90
72	T35SK72	C1	SK	8.810	8.597	2-5/8	2-1/8	2-1/8	3-7/8	5/8	19/64	1-1/4	15.56	13.56
76	T35SK76	C1	SK	9.290	9.074	2-5/8	2-1/8	2-1/8	3-7/8	5/8	19/64	1-1/4	17.42	15.42
84	T35SK84	C1	SK	10.250	10.029	2-5/8	2-1/8	2-1/8	3-7/8	5/8	19/64	1-1/4	20.92	18.92
95	T35SK95	C1	SK	11.560	11.342	2-5/8	2-1/8	2-1/8	3-7/8	5/8	19/64	1-1/4	26.76	24.76
96	T35SK96	C1	SK	11.680	11.461	2-5/8	2-1/8	2-1/8	3-7/8	5/8	19/64	1-1/4	27.58	25.58
102	T35SK102	C1	SK	12.400	12.177	2-5/8	2-1/8	2-1/8	3-7/8	5/8	19/64	1-1/4	31.18	29.18

No. 41

Q-BUSHED SPROCKETS

1/2" Pitch



Type B

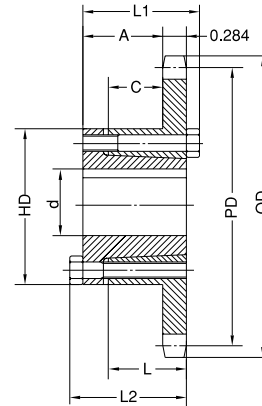
Single Q-Bushed

No. of Teeth	Part No.	Bushing	OD	PD	Max. Bore d	L1	L2	HD	A	C	L	App. Wt. (Lbs.)	
												With Hub	Sprocket
15	41JA15H	JA	2.650	2.405	1-1/4	1-1/8	1-1/8	2-1/16	49/64	25/64	5/8	1.22	0.32
16	41JA16H	JA	2.810	2.563	1-1/4	1-1/8	1-1/8	2-1/16	49/64	25/64	5/8	1.30	0.40
17	41JA17H	JA	2.980	2.721	1-1/4	1-1/8	1-1/8	2-1/16	49/64	25/64	5/8	1.40	0.50
18	41JA18H	JA	3.140	2.879	1-1/4	1-1/8	1-1/8	2-1/16	49/64	25/64	5/8	1.50	0.60
19	41JA19H	JA	3.300	3.038	1-1/4	1-1/8	1-1/8	2-1/16	49/64	25/64	5/8	1.58	0.68
20	41SH20H	SH	3.460	3.196	1-5/8	1-7/16	1-7/16	2-11/16	1-1/32	37/64	13/16	1.78	0.78
21	41SH21H	SH	3.620	3.355	1-5/8	1-7/16	1-7/16	2-11/16	1-1/32	37/64	13/16	1.82	0.82
22	41SH22H	SH	3.780	3.513	1-5/8	1-7/16	1-7/16	2-11/16	1-1/32	37/64	13/16	2.06	1.06
23	41SH23H	SH	3.940	3.672	1-5/8	1-7/16	1-7/16	2-11/16	1-1/32	37/64	13/16	2.14	1.14
24	41SH24H	SH	4.100	3.831	1-5/8	1-7/16	1-7/16	2-11/16	1-1/32	37/64	13/16	2.16	1.16
25	41SH25H	SH	4.260	3.989	1-5/8	1-7/16	1-7/16	2-11/16	1-1/32	37/64	13/16	2.22	1.22
26	41SH26H	SH	4.420	4.148	1-5/8	1-7/16	1-7/16	2-11/16	1-1/32	37/64	13/16	2.26	1.26
27	41SH27H	SH	4.580	4.307	1-5/8	1-7/16	1-7/16	2-11/16	1-1/32	37/64	13/16	2.40	1.40
28	41SH28H	SH	4.740	4.466	1-5/8	1-7/16	1-7/16	2-11/16	1-1/32	37/64	13/16	2.54	1.54
30	41SH30H	SH	5.060	4.783	1-5/8	1-7/16	1-7/16	2-11/16	1-1/32	37/64	13/16	2.58	1.58
32	41SH32H	SH	5.380	5.101	1-5/8	1-7/16	1-7/16	2-11/16	1-1/32	37/64	13/16	2.68	1.68
35	41SH35H	SH	5.860	5.578	1-5/8	1-7/16	1-7/16	2-11/16	1-1/32	37/64	13/16	3.46	2.47
36	41SDS36H	SDS	6.020	5.737	2	1-1/2	1-1/2	3-3/16	1-3/32	17/32	3/4	2.92	1.92
40	41SDS40	SDS	6.650	6.373	2	1-1/2	1-1/2	3-3/16	1-3/32	17/32	3/4	3.32	2.32
42	41SDS42	SDS	6.970	6.691	2	1-1/2	1-1/2	3-3/16	1-3/32	17/32	3/4	3.44	2.44
45	41SDS45	SDS	7.450	7.168	2	1-1/2	1-1/2	3-3/16	1-3/32	17/32	3/4	3.76	2.76
48	41SDS48	SDS	7.930	7.645	2	1-1/2	1-1/2	3-3/16	1-3/32	17/32	3/4	4.36	3.36
54	41SDS54	SDS	8.890	8.599	2	1-1/2	1-1/2	3-3/16	1-3/32	17/32	3/4	4.98	3.98
60	41SDS60	SDS	9.840	9.554	2	1-1/2	1-1/2	3-3/16	1-3/32	17/32	3/4	6.54	5.54
70	41SK70	SK	11.430	11.145	2-5/8	2-1/8	2-1/8	3-7/8	1-41/64	1-1/32	1-1/4	9.42	7.42
72	41SK72	SK	11.750	11.463	2-5/8	2-1/8	2-1/8	3-7/8	1-41/64	1-1/32	1-1/4	10.02	8.02
80	41SK80	SK	13.030	12.736	2-5/8	2-1/8	2-1/8	3-7/8	1-41/64	1-1/32	1-1/4	11.64	9.64
84	41SK84	SK	13.660	13.372	2-5/8	2-1/8	2-1/8	3-7/8	1-41/64	1-1/32	1-1/4	12.40	10.40
96	41SK96	SK	15.570	15.281	2-5/8	2-1/8	2-1/8	3-7/8	1-41/64	1-1/32	1-1/4	14.82	12.82
112	41SK112	SK	18.120	17.828	2-5/8	2-1/8	2-1/8	3-7/8	1-41/64	1-1/32	1-1/4	19.28	17.28

H - Denotes hardened teeth.

Q-BUSHED SPROCKETS **No. 40**

1/2" Pitch



Type B

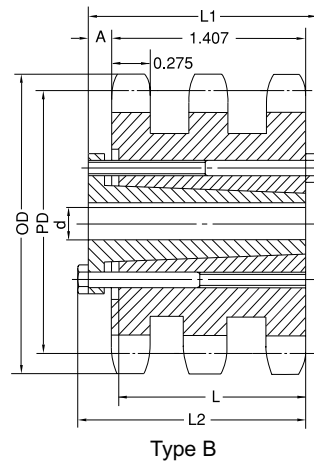
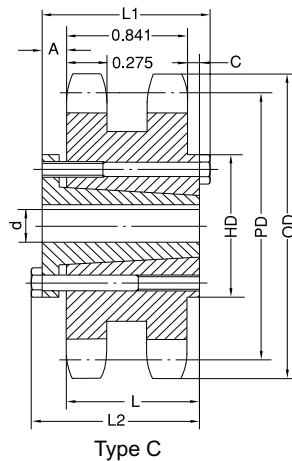
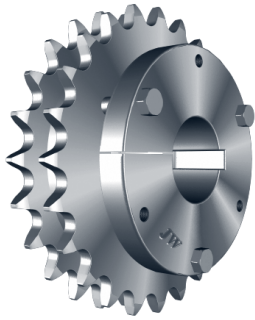
Single Q-Bushed

No. of Teeth	Part No.	Bushing	OD	PD	Max. Bore d	L1	L2	HD	A	C	L	App. Wt. (Lbs.)	
												With Hub	Sprocket
15	40JA15H	JA	2.650	2.405	1-1/4	1-1/8	1-1/8	2-1/16	23/32	11/32	5/8	1.24	0.34
16	40JA16H	JA	2.810	2.563	1-1/4	1-1/8	1-1/8	2-1/16	23/32	11/32	5/8	1.30	0.40
17	40JA17H	JA	2.980	2.721	1-1/4	1-1/8	1-1/8	2-1/16	23/32	11/32	5/8	1.38	0.48
18	40JA18H	JA	3.140	2.879	1-1/4	1-1/8	1-1/8	2-1/16	23/32	11/32	5/8	1.44	0.54
19	40JA19H	JA	3.300	3.038	1-1/4	1-1/8	1-1/8	2-1/16	23/32	11/32	5/8	1.50	0.60
20	40SH20H	SH	3.460	3.196	1-5/8	1-7/16	1-7/16	2-11/16	31/32	17/32	13/16	1.76	0.76
21	40SH21H	SH	3.620	3.355	1-5/8	1-7/16	1-7/16	2-11/16	31/32	17/32	13/16	1.84	0.84
22	40SH22H	SH	3.780	3.513	1-5/8	1-7/16	1-7/16	2-11/16	31/32	17/32	13/16	1.92	0.92
23	40SH23H	SH	3.940	3.672	1-5/8	1-7/16	1-7/16	2-11/16	31/32	17/32	13/16	2.14	1.14
24	40SH24H	SH	4.100	3.831	1-5/8	1-7/16	1-7/16	2-11/16	31/32	17/32	13/16	2.22	1.22
25	40SH25H	SH	4.260	3.989	1-5/8	1-7/16	1-7/16	2-11/16	31/32	17/32	13/16	2.30	1.30
26	40SH26H	SH	4.420	4.148	1-5/8	1-7/16	1-7/16	2-11/16	31/32	17/32	13/16	2.44	1.44
27	40SH27H	SH	4.580	4.307	1-5/8	1-7/16	1-7/16	2-11/16	31/32	17/32	13/16	2.46	1.46
28	40SH28H	SH	4.740	4.466	1-5/8	1-7/16	1-7/16	2-11/16	31/32	17/32	13/16	2.54	1.54
30	40SH30H	SH	5.060	4.783	1-5/8	1-7/16	1-7/16	2-11/16	31/32	17/32	13/16	2.72	1.72
32	40SH32H	SH	5.380	5.101	1-5/8	1-7/16	1-7/16	2-11/16	31/32	17/32	13/16	2.90	1.90
35	40SH35H	SH	5.860	5.578	1-5/8	1-7/16	1-7/16	2-11/16	31/32	17/32	13/16	3.22	2.22
36	40SDS36H	SDS	6.020	5.737	2	1-1/2	1-1/2	3-3/16	1-1/32	15/32	3/4	3.20	2.20
40	40SDS40	SDS	6.650	6.373	2	1-1/2	1-1/2	3-3/16	1-1/32	15/32	3/4	3.72	2.72
42	40SDS42	SDS	6.970	6.691	2	1-1/2	1-1/2	3-3/16	1-1/32	15/32	3/4	3.92	2.92
45	40SDS45	SDS	7.450	7.168	2	1-1/2	1-1/2	3-3/16	1-1/32	15/32	3/4	4.32	3.32
48	40SDS48	SDS	7.930	7.645	2	1-1/2	1-1/2	3-3/16	1-1/32	15/32	3/4	4.70	3.70
54	40SDS54	SDS	8.890	8.599	2	1-1/2	1-1/2	3-3/16	1-1/32	15/32	3/4	5.78	4.78
60	40SDS60	SDS	9.840	9.554	2	1-1/2	1-1/2	3-3/16	1-1/32	15/32	3/4	6.86	5.86
70	40SK70	SK	11.430	11.145	2-5/8	2-1/8	2-1/8	3-7/8	1-19/32	31/32	1-1/4	10.68	8.68
72	40SK72	SK	11.750	11.463	2-5/8	2-1/8	2-1/8	3-7/8	1-19/32	31/32	1-1/4	10.84	8.84
80	40SK80	SK	13.030	12.736	2-5/8	2-1/8	2-1/8	3-7/8	1-19/32	31/32	1-1/4	13.20	11.20
84	40SK84	SK	13.660	13.372	2-5/8	2-1/8	2-1/8	3-7/8	1-19/32	31/32	1-1/4	13.56	11.56
96	40SK96	SK	15.570	15.281	2-5/8	2-1/8	2-1/8	3-7/8	1-19/32	31/32	1-1/4	17.76	15.76
112	40SK112	SK	18.120	17.828	2-5/8	2-1/8	2-1/8	3-7/8	1-19/32	31/32	1-1/4	22.28	20.28

H - Denotes hardened teeth.

No. 40 Q-BUSHED SPROCKETS

1/2" Pitch



Double Q-Bushed

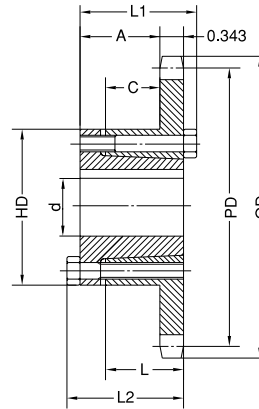
No. of Teeth	Part No.	Type	Bushing	OD	PD	Max. Bore d	L1	L2	HD	A	C	L	App. Wt. (Lbs.)	
													With Hub	Sprocket
36	D40SK36	C	SK	6.020	5.737	2-5/8	2-1/8	2-1/8	3-7/8	5/8	13/32	1-1/4	6.68	4.68
40	D40SK40	C	SK	6.650	6.373	2-5/8	2-1/8	2-1/8	3-7/8	5/8	13/32	1-1/4	8.02	6.02
42	D40SK42	C	SK	6.970	6.691	2-5/8	2-1/8	2-1/8	3-7/8	5/8	13/32	1-1/4	8.82	6.82
45	D40SK45	C	SK	7.450	7.168	2-5/8	2-1/8	2-1/8	3-7/8	5/8	13/32	1-1/4	9.98	7.98
48	D40SK48	C	SK	7.930	7.645	2-5/8	2-1/8	2-1/8	3-7/8	5/8	13/32	1-1/4	11.22	9.22
52	D40SK52	C	SK	8.570	8.281	2-5/8	2-1/8	2-1/8	3-7/8	5/8	13/32	1-1/4	13.04	11.04
54	D40SK54	C	SK	8.890	8.599	2-5/8	2-1/8	2-1/8	3-7/8	5/8	13/32	1-1/4	14.06	12.06
60	D40SK60	C	SK	9.840	9.554	2-5/8	2-1/8	2-1/8	3-7/8	5/8	13/32	1-1/4	16.98	14.98
68	D40SF68	C	SF	11.120	10.826	2-15/16	2-1/4	2-1/4	4-5/8	3/4	13/32	1-1/4	22.72	19.72
72	D40SF72	C	SF	11.750	11.463	2-15/16	2-1/4	2-1/4	4-5/8	3/4	13/32	1-1/4	24.20	22.20
76	D40SF76	C	SF	12.390	12.099	2-15/16	2-1/4	2-1/4	4-5/8	3/4	13/32	1-1/4	28.20	25.20
84	D40SF84	C	SF	13.660	13.372	2-15/16	2-1/4	2-1/4	4-5/8	3/4	13/32	1-1/4	33.64	30.64
95	D40SF95	C	SF	15.410	15.122	2-15/16	2-1/4	2-1/4	4-5/8	3/4	13/32	1-1/4	40.22	37.22
102	D40SF102	C	SF	16.530	16.236	2-15/16	2-1/4	2-1/4	4-5/8	3/4	13/32	1-1/4	42.70	39.70
112	D40SF112	C	SF	18.120	17.828	2-15/16	2-1/4	2-1/4	4-5/8	3/4	13/32	1-1/4	52.60	49.60

Triple Q-Bushed

No. of Teeth	Part No.	Type	Bushing	OD	PD	Max. Bore d	L1	L2	A	L	App. Wt. (Lbs.)	
											With Hub	Sprocket
36	T40SK36	B	SK	6.020	5.737	2-5/8	2-1/8	2-1/8	15/32	1-1/4	8.16	6.16
42	T40SK42	B	SK	6.970	6.691	2-5/8	2-1/8	2-1/8	15/32	1-1/4	11.92	9.52
48	T40SK48	B	SK	7.930	7.645	2-5/8	2-1/8	2-1/8	15/32	1-1/4	15.13	13.16
52	T40SK52	B	SK	8.570	8.281	2-5/8	2-1/8	2-1/8	15/32	1-1/4	18.08	16.08
60	T40SK60	B	SK	9.840	9.554	2-5/8	2-1/8	2-1/8	15/32	1-1/4	24.60	22.60
68	T40SF68	B	SF	11.120	10.826	2-15/16	2-1/4	2-1/4	19/32	1-1/4	31.98	29.98
72	T40SF72	B	SF	11.750	11.463	2-15/16	2-1/4	2-1/4	19/32	1-1/4	37.40	34.40
76	T40SF76	B	SF	12.390	12.099	2-15/16	2-1/4	2-1/4	19/32	1-1/4	51.92	48.92
84	T40SF84	B	SF	13.660	13.372	2-15/16	2-1/4	2-1/4	19/32	1-1/4	56.70	53.78
95	T40SF95	B	SF	15.410	15.122	2-15/16	2-1/4	2-1/4	19/32	1-1/4	58.94	55.94
102	T40SF102	B	SF	16.530	16.236	2-15/16	2-1/4	2-1/4	19/32	1-1/4	62.24	59.24

Q-BUSHED SPROCKETS No. 50

5/8" Pitch



Type B

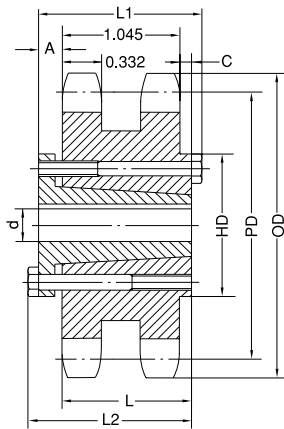
Single Q-Bushed

No. of Teeth	Part No.	Bushing	OD	PD	Max. Bore d	L1	L2	HD	A	C	L	App. Wt. (Lbs.)	
												With Hub	Sprocket
12	50JA12H	JA	2.710	2.415	1-1/4	1-1/8	1-1/8	2-1/16	21/32	9/32	5/8	1.24	0.34
13	50JA13H	JA	2.910	2.612	1-1/4	1-1/8	1-1/8	2-1/16	21/32	9/32	5/8	1.30	0.40
14	50JA14H	JA	3.110	2.803	1-1/4	1-1/8	1-1/8	2-1/16	21/32	9/32	5/8	1.45	0.52
15	50JA15H	JA	3.320	3.006	1-1/4	1-1/8	1-1/8	2-1/16	21/32	9/32	5/8	1.50	0.60
16	50JA16H	JA	3.520	3.204	1-1/4	1-1/8	1-1/8	2-1/16	21/32	9/32	5/8	1.58	0.68
17	50SH17H	SH	3.720	3.401	1-5/8	1-7/16	1-7/16	2-11/16	29/32	15/32	13/16	1.84	0.84
18	50SH18H	SH	3.920	3.599	1-5/8	1-7/16	1-7/16	2-11/16	29/32	15/32	13/16	2.04	1.04
19	50SH19H	SH	4.120	3.797	1-5/8	1-7/16	1-7/16	2-11/16	29/32	15/32	13/16	2.24	1.24
20	50SDS20H	SDS	4.320	3.995	2	1-1/2	1-1/2	3-3/16	31/32	13/32	3/4	2.20	1.20
21	50SDS21H	SDS	4.520	4.194	2	1-1/2	1-1/2	3-3/16	31/32	13/32	3/4	2.32	1.32
22	50SDS22H	SDS	4.720	4.392	2	1-1/2	1-1/2	3-3/16	31/32	13/32	3/4	2.48	1.42
23	50SDS23H	SDS	4.920	4.590	2	1-1/2	1-1/2	3-3/16	31/32	13/32	3/4	2.58	1.58
24	50SDS24H	SDS	5.120	4.788	2	1-1/2	1-1/2	3-3/16	31/32	13/32	3/4	2.70	1.70
25	50SDS25H	SDS	5.320	4.987	2	1-1/2	1-1/2	3-3/16	31/32	13/32	3/4	2.86	1.86
26	50SDS26H	SDS	5.520	5.185	2	1-1/2	1-1/2	3-3/16	31/32	13/32	3/4	3.00	2.00
27	50SDS27H	SDS	5.720	5.384	2	1-1/2	1-1/2	3-3/16	31/32	13/32	3/4	3.12	2.12
28	50SDS28H	SDS	5.920	5.582	2	1-1/2	1-1/2	3-3/16	31/32	13/32	3/4	3.32	2.32
30	50SDS30H	SDS	6.320	5.979	2	1-1/2	1-1/2	3-3/16	31/32	13/32	3/4	3.64	2.64
32	50SDS32H	SDS	6.720	6.376	2	1-1/2	1-1/2	3-3/16	31/32	13/32	3/4	3.98	2.98
35	50SDS35H	SDS	7.320	6.972	2	1-1/2	1-1/2	3-3/16	31/32	13/32	3/4	4.62	3.62
36	50SDS36H	SDS	7.520	7.171	2	1-1/2	1-1/2	3-3/16	31/32	13/32	3/4	4.64	3.64
40	50SDS40H	SDS	8.320	7.966	2	1-1/2	1-1/2	3-3/16	31/32	13/32	3/4	5.74	4.74
42	50SDS42H	SDS	8.720	8.363	2	1-1/2	1-1/2	3-3/16	31/32	13/32	3/4	6.40	5.40
45	50SDS45H	SDS	9.310	8.960	2	1-1/2	1-1/2	3-3/16	31/32	13/32	3/4	6.90	5.90
48	50SDS48H	SDS	9.910	9.556	2	1-1/2	1-1/2	3-3/16	31/32	13/32	3/4	7.66	6.66
54	50SK54	SK	11.110	10.749	2-5/8	2-1/8	2-1/8	3-7/8	1-17/32	29/32	1-1/4	11.68	9.68
60	50SK60	SK	12.300	11.942	2-5/8	2-1/8	2-1/8	3-7/8	1-17/32	29/32	1-1/4	13.88	11.88
70	50SK70	SK	14.290	13.931	2-5/8	2-1/8	2-1/8	3-7/8	1-17/32	29/32	1-1/4	17.52	15.52
72	50SK72	SK	14.690	14.329	2-5/8	2-1/8	2-1/8	3-7/8	1-17/32	29/32	1-1/4	18.44	16.44
80	50SF80	SF	16.280	15.920	2-15/16	2-1/4	2-1/4	4-5/8	1-21/32	29/32	1-1/4	22.90	19.90
84	50SF84	SF	17.080	16.715	2-15/16	2-1/4	2-1/4	4-5/8	1-21/32	29/32	1-1/4	25.98	22.98
96	50SF96	SF	19.470	19.102	2-15/16	2-1/4	2-1/4	4-5/8	1-21/32	29/32	1-1/4	32.88	29.88
112	50SF112	SF	22.650	22.285	2-15/16	2-1/4	2-1/4	4-5/8	1-21/32	29/32	1-1/4	43.10	40.10

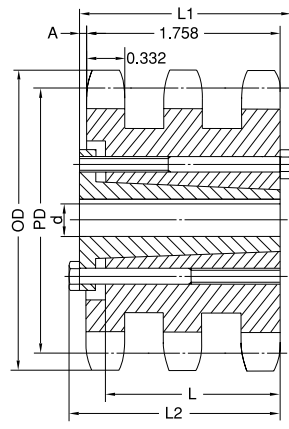
H - Denotes hardened teeth.

No. 50 Q-BUSHED SPROCKETS

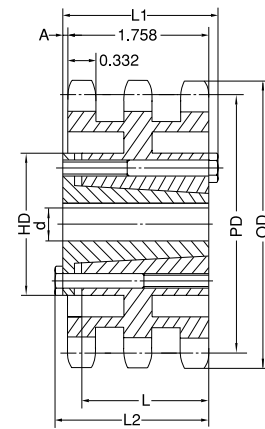
5/8" Pitch



Type B1



Type B2



Type B3

Double Q-Bushed

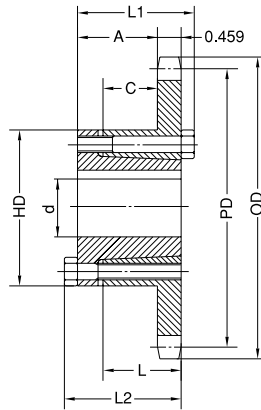
No. of Teeth	Part No.	Type	Bushing	OD	PD	Max. Bore d	L1	L2	HD	A	C	L	App. Wt. (Lbs.)	
													With Hub	Sprocket
36	D50SK36	B ₁	SK	7.520	7.171	2-5/8	2-1/8	2-1/8	3-7/8	5/8	13/64	1-1/4	11.08	9.08
42	D50SK42	B ₁	SK	8.720	8.363	2-5/8	2-1/8	2-1/8	3-7/8	5/8	13/64	1-1/4	15.16	13.16
48	D50SK48	B ₁	SK	9.910	9.556	2-5/8	2-1/8	2-1/8	3-7/8	5/8	13/64	1-1/4	19.90	17.90
52	D50SF52	B ₁	SF	10.710	10.351	2-15/16	2-1/4	2-1/4	4-5/8	3/4	13/64	1-1/4	24.26	21.26
54	D50SF54	B ₁	SF	11.110	10.749	2-15/16	2-1/4	2-1/4	4-5/8	3/4	13/64	1-1/4	26.18	23.18
60	D50SF60	B ₁	SF	12.300	11.942	2-15/16	2-1/4	2-1/4	4-5/8	3/4	13/64	1-1/4	32.12	29.12
68	D50SF68	B ₁	SF	13.890	13.533	2-15/16	2-1/4	2-1/4	4-5/8	3/4	13/64	1-1/4	41.16	38.16
72	D50SF72	B ₁	SF	14.690	14.329	2-15/16	2-1/4	2-1/4	4-5/8	3/4	13/64	1-1/4	46.28	43.26
76	D50SF76	B ₁	SF	15.490	15.124	2-15/16	2-1/4	2-1/4	4-5/8	3/4	13/64	1-1/4	47.00	44.00
84	D50SF84	B ₁	SF	17.080	16.715	2-15/16	2-1/4	2-1/4	4-5/8	3/4	13/64	1-1/4	48.89	45.88
95	D50SF95	B ₁	SF	19.270	18.903	2-15/16	2-1/4	2-1/4	4-5/8	3/4	13/64	1-1/4	61.80	58.88
102	D40SF102	B ₁	SF	20.660	20.295	2-15/16	2-1/4	2-1/4	4-5/8	3/4	13/64	1-1/4	69.02	66.02
112	D50SF112	B ₁	SF	22.650	22.285	2-15/16	2-1/4	2-1/4	4-5/8	3/4	13/64	1-1/4	88.26	85.26

Triple Q-Bushed

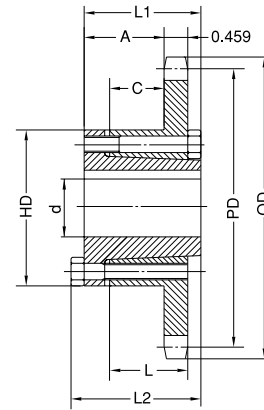
No. of Teeth	Part No.	Type	Bushing	OD	PD	Max. Bore d	L1	L2	HD	A	L	App. Wt. (Lbs.)	
												With Hub	Sprocket
36	T50SK36	B ₂	SK	7.520	7.171	2-5/8	2-1/8	2-1/8		1/8	1-1/4	14.80	12.80
42	T50SK42	B ₂	SK	8.720	8.363	2-5/8	2-1/8	2-1/8		1/8	1-1/4	21.50	19.50
48	T50SK48	B ₂	SK	9.910	9.556	2-5/8	2-1/8	2-1/8		1/8	1-1/4	29.60	27.60
52	T50SF52	B ₂	SF	10.710	10.351	2-15/16	2-1/4	2-1/4		1/4	1-1/4	31.60	28.60
60	T50SF60	B ₂	SF	12.300	11.942	2-15/16	2-1/4	2-1/4		1/4	1-1/4	42.10	39.10
68	T50SF68	B ₂	SF	13.890	13.533	2-15/16	2-1/4	2-1/4		1/4	1-1/4	53.80	50.80
72	T50SF72	B ₃	SF	14.690	14.329	2-15/16	2-1/4	2-1/4	4-5/8	1/4	1-1/4	46.60	43.60
76	T50SF76	B ₃	SF	15.490	15.124	2-15/16	2-1/4	2-1/4	4-5/8	1/4	1-1/4	49.90	46.90
84	T50SF84	B ₃	SF	17.080	16.715	2-15/16	2-1/4	2-1/4	4-5/8	1/4	1-1/4	53.90	50.90
95	T50SF95	B ₃	SF	19.270	18.903	2-15/16	2-1/4	2-1/4	4-5/8	1/4	1-1/4	62.30	59.30
102	T50SF102	B ₃	SF	20.660	20.295	2-15/16	2-1/4	2-1/4	4-5/8	1/4	1-1/4	69.30	66.30

Q-BUSHED SPROCKETS **No. 60**

3/4" Pitch



Type B



Type B1

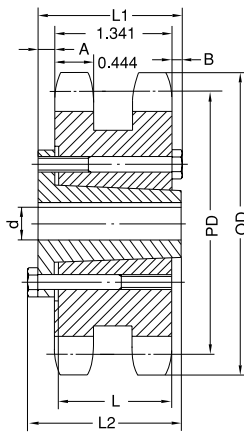
Single Q-Bushed

No. of Teeth	Part No.	Type	Bushing	OD	PD	Max. Bore d	L1	L2	HD	A	C	L	App. Wt. (Lbs.)	
													With Hub	Sprocket
11	60JA11H	B	JA	3.000	2.662	1-1/4	1-1/8	1-1/8	2-1/16	35/64	11/64	5/8	1.36	0.46
12	60JA12H	B	JA	3.250	2.898	1-1/4	1-1/8	1-1/8	2-1/16	35/64	11/64	5/8	1.50	0.60
13	60JA13H	B	JA	3.490	3.134	1-1/4	1-1/8	1-1/8	2-1/16	35/64	11/64	5/8	1.66	0.76
14	60SH14H	B	SH	3.740	3.371	1-5/8	1-7/16	1-7/16	2-11/16	51/64	23/64	13/16	1.88	0.88
15	60SH15H	B	SH	3.980	3.607	1-5/8	1-7/16	1-7/16	2-11/16	51/64	23/64	13/16	2.08	1.08
16	60SH16H	B	SH	4.220	3.844	1-5/8	1-7/16	1-7/16	2-11/16	51/64	23/64	13/16	2.26	1.26
17	60SDS17H	B	SDS	4.460	4.082	2	1-1/2	1-1/2	3-3/16	55/64	19/64	3/4	2.38	1.38
18	60SDS18H	B	SDS	4.700	4.319	2	1-1/2	1-1/2	3-3/16	55/64	19/64	3/4	2.56	1.56
19	60SDS19H	B	SDS	4.950	4.557	2	1-1/2	1-1/2	3-3/16	55/64	19/64	3/4	2.76	1.76
20	60SDS20H	B	SDS	5.190	4.794	2	1-1/2	1-1/2	3-3/16	55/64	19/64	3/4	3.00	2.00
21	60SDS21H	B	SDS	5.430	5.032	2	1-1/2	1-1/2	3-3/16	55/64	19/64	3/4	3.20	2.20
22	60SDS22H	B	SDS	5.670	5.270	2	1-1/2	1-1/2	3-3/16	55/64	19/64	3/4	3.44	2.44
23	60SDS23H	B	SDS	5.910	5.508	2	1-1/2	1-1/2	3-3/16	55/64	19/64	3/4	3.70	2.70
24	60SDS24H	B	SDS	6.150	5.746	2	1-1/2	1-1/2	3-3/16	55/64	19/64	3/4	3.94	2.94
25	60SDS25H	B	SDS	6.390	5.984	2	1-1/2	1-1/2	3-3/16	55/64	19/64	3/4	4.24	3.24
26	60SK26H	B	SK	6.630	6.222	2-5/8	2-1/8	2-1/8	3-7/8	1-27/64	51/64	1-1/4	6.18	4.18
27	60SK27H	B	SK	6.870	6.460	2-5/8	2-1/8	2-1/8	3-7/8	1-27/64	51/64	1-1/4	6.52	4.52
28	60SK28H	B	SK	7.110	6.699	2-5/8	2-1/8	2-1/8	3-7/8	1-27/64	51/64	1-1/4	6.72	4.72
30	60SK30H	B	SK	7.590	7.175	2-5/8	2-1/8	2-1/8	3-7/8	1-27/64	51/64	1-1/4	7.34	5.34
32	60SK32H	B	SK	8.070	7.652	2-5/8	2-1/8	2-1/8	3-7/8	1-27/64	51/64	1-1/4	8.10	6.10
35	60SK35H	B	SK	8.780	8.367	2-5/8	2-1/8	2-1/8	3-7/8	1-27/64	51/64	1-1/4	9.42	7.42
36	60SK36H	B	SK	9.020	8.605	2-5/8	2-1/8	2-1/8	3-7/8	1-27/64	51/64	1-1/4	9.70	7.70
40	60SK40	B	SK	9.980	9.559	2-5/8	2-1/8	2-1/8	3-7/8	1-27/64	51/64	1-1/4	11.56	9.56
42	60SF42	B	SF	10.460	10.036	2-15/16	2-1/4	2-1/4	4-5/8	1-35/64	51/64	1-1/4	13.78	10.78
45	60SF45	B	SF	11.180	10.752	2-15/16	2-1/4	2-1/4	4-5/8	1-35/64	51/64	1-1/4	15.40	12.40
48	60SF48	B	SF	11.890	11.467	2-15/16	2-1/4	2-1/4	4-5/8	1-35/64	51/64	1-1/4	17.26	14.26
54	60SF54	B	SF	13.330	12.899	2-15/16	2-1/4	2-1/4	4-5/8	1-35/64	51/64	1-1/4	20.02	17.02
60	60SF60	B	SF	14.760	14.331	2-15/16	2-1/4	2-1/4	4-5/8	1-35/64	51/64	1-1/4	23.76	20.76
70	60SF70	B	SF	17.150	16.717	2-15/16	2-1/4	2-1/4	4-5/8	1-35/64	51/64	1-1/4	31.60	28.60
72	60SF72	B	SF	17.630	17.194	2-15/16	2-1/4	2-1/4	4-5/8	1-35/64	51/64	1-1/4	32.58	29.58
80	60SF80	B	SF	19.540	19.103	2-15/16	2-1/4	2-1/4	4-5/8	1-35/64	51/64	1-1/4	41.24	38.24
84	60SF84	B	SF	20.490	20.058	2-15/16	2-1/4	2-1/4	4-5/8	1-35/64	51/64	1-1/4	43.94	40.94
96	60SF96	B	SF	23.360	22.922	2-15/16	2-1/4	2-1/4	4-5/8	1-35/64	51/64	1-1/4	55.40	52.40
112	60E112	B ₁	E	27.180	26.742	3-1/2	2-5/8	2-15/16	6	2-3/16	1-11/64	1-5/8	83.76	73.76

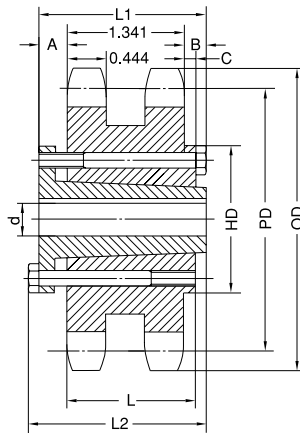
H - Denotes hardened teeth.

No. 60 Q-BUSHED SPROCKETS

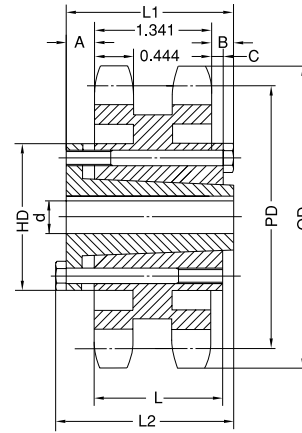
3/4" Pitch



Type C1



Type C2



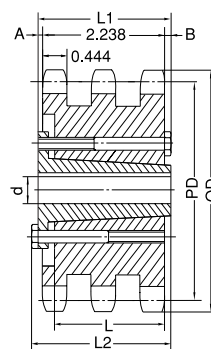
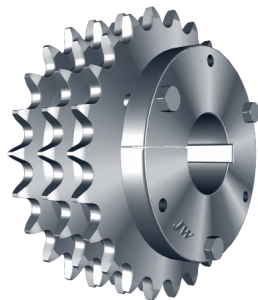
Type C4

Double Q-Bushed

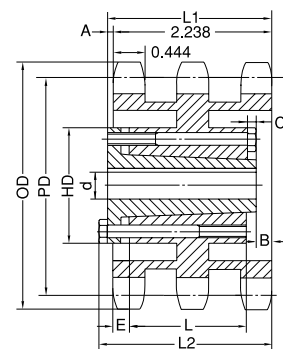
No. of Teeth	Part No.	Type	Bushing	OD	PD	Max. Bore d	L1	L2	HD	A	B	C	L	App. Wt. (Lbs.)	
														With Hub	Sprocket
14	D60SH14H	B*	SH	3.740	3.371	1-5/8	1-31/32	1-31/32	2-11/16	1/2				2.50	1.50
22	D60SDS22H	B*	SDS	5.670	5.270	2	1-17/32	1-15/32	3-3/16				3/4	5.44	4.44
36	D60SF36	C ₁	SF	9.020	8.605	2-15/16	2	2-1/4		3/4			1-1/4	19.26	16.26
42	D60E42	C ₂	E	10.460	10.036	3-1/2	2-5/8	2-15/16	6	7/8	13/32	9/32	1-5/8	34.04	24.04
45	D60E45	C ₂	E	11.180	10.752	3-1/2	2-5/8	2-15/16	6	7/8	13/32	9/32	1-5/8	38.26	28.36
52	D60E52	C ₂	E	12.850	12.422	3-1/2	2-5/8	2-15/16	6	7/8	13/32	9/32	1-5/8	49.52	39.52
60	D60E60	C ₂	E	14.760	14.331	3-1/2	2-5/8	2-15/16	6	7/8	13/32	9/32	1-5/8	63.39	53.74
68	D60E68	C ₄	E	16.670	16.240	3-1/2	2-5/8	2-15/16	6	7/8	13/32	9/32	1-5/8	54.32	44.32
76	D60E76	C ₄	E	18.580	18.149	3-1/2	2-5/8	2-15/16	6	7/8	13/32	9/32	1-5/8	61.48	51.48
95	D60E95	C ₄	E	23.120	22.683	3-1/2	2-5/8	2-15/16	6	7/8	13/32	9/32	1-5/8	82.96	72.96

H - Denotes hardened teeth.

* Sprocket diagram not shown above. Dimensions are consistent with diagrams shown above.



Type B2



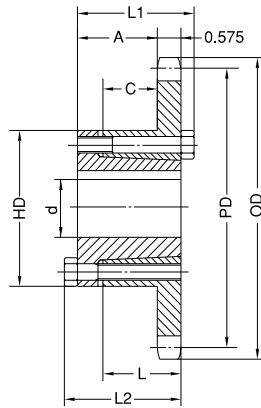
Type C1

Triple Q-Bushed

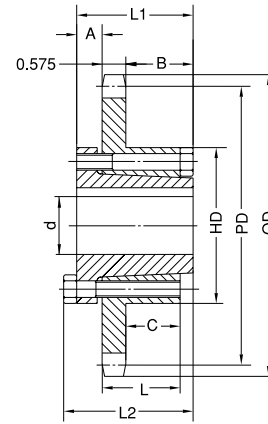
No. of Teeth	Part No.	Type	Bushing	OD	PD	Max. Bore d	L1	L2	HD	A	B	C	E	L	App. Wt. (Lbs.)	
															With Hub	Sprocket
36	T60E36	B ₂	E	9.020	8.605	3-1/2	2-5/8	2-15/16		17/64	1/8			1-5/8	49.00	37.00
42	T60E42	B ₂	E	10.460	10.036	3-1/2	2-5/8	2-15/16		17/64	1/8			1-5/8	62.00	50.00
52	T60E52	B ₂	E	12.850	12.422	3-1/2	2-5/8	2-15/16		17/64	1/8			1-5/8	80.00	68.00
68	T60E68	C ₁	E	16.670	16.240	3-1/2	2-13/16	3-7/64	6	9/16	3/16	1/8	5/16	1-5/8	83.00	71.00
76	T60E76	C ₁	E	18.580	18.149	3-1/2	2-13/16	3-7/64	6	9/16	3/16	1/8	5/16	1-5/8	99.00	87.00
95	T60E95	C ₁	E	23.120	22.683	3-1/2	2-13/16	3-7/64	6	9/16	3/16	1/8	5/16	1-5/8	129.00	117.00

Q-BUSHED SPROCKETS No. 80

1" Pitch



Type B



Type C

Single Q-Bushed

No. of Teeth	Part No.	Type	Bushing	OD	PD	Max. Bore d	L1	L2	HD	A	B	C	L	App. Wt. (Lbs.)	
														With Hub	Sprocket
11	80SH11H	B	SH	4.010	3.550	1-5/8	1-7/16	1-7/16	2-11/16	21/32		15/64	13/16	2.0	1.0
12	80SH12H	B	SH	4.330	3.864	1-5/8	1-7/16	1-7/16	2-11/16	21/32		15/64	13/16	2.4	1.4
13	80SDS13H	B	SDS	4.660	4.179	2	1-1/2	1-1/2	3-3/16	47/64		11/64	3/4	2.5	1.5
14	80SDS14H	B	SDS	4.980	4.494	2	1-1/2	1-1/2	3-3/16	47/64		11/64	3/4	2.8	1.8
15	80SK15H	B	SK	5.300	4.810	2-5/8	2-1/8	2-1/8	3-7/8	1-19/64		21/32	1-1/4	4.5	2.5
16	80SK16H	B	SK	5.630	5.126	2-5/8	2-1/8	2-1/8	3-7/8	1-19/64		21/32	1-1/4	5.1	3.1
17	80SK17H	B	SK	5.950	5.442	2-5/8	2-1/8	2-1/8	3-7/8	1-19/64		21/32	1-1/4	5.5	3.5
18	80SK18H	B	SK	6.270	5.759	2-5/8	2-1/8	2-1/8	3-7/8	1-19/64		21/32	1-1/4	5.9	3.9
19	80SK19H	B	SK	6.590	6.076	2-5/8	2-1/8	2-1/8	3-7/8	1-19/64		21/32	1-1/4	6.4	4.4
20	80SF20H	B	SF	6.910	6.392	2-15/16	2-1/4	2-1/4	4-5/8	1-27/64		21/32	1-1/4	8.3	5.3
21	80SF21H	B	SF	7.240	6.710	2-15/16	2-1/4	2-1/4	4-5/8	1-27/64		21/32	1-1/4	8.7	5.7
22	80SF22H	B	SF	7.560	7.027	2-15/16	2-1/4	2-1/4	4-5/8	1-27/64		21/32	1-1/4	9.3	6.3
23	80SF23H	B	SF	7.880	7.344	2-15/16	2-1/4	2-1/4	4-5/8	1-27/64		21/32	1-1/4	9.8	6.8
24	80SF24H	B	SF	8.200	7.661	2-15/16	2-1/4	2-1/4	4-5/8	1-27/64		21/32	1-1/4	10.5	7.5
25	80SF25H	B	SF	8.520	7.979	2-15/16	2-1/4	2-1/4	4-5/8	1-27/64		21/32	1-1/4	11.0	8.0
26	80SF26H	B	SF	8.840	8.296	2-15/16	2-1/4	2-1/4	4-5/8	1-27/64		21/32	1-1/4	11.6	8.6
27	80SF27H	B	SF	9.160	8.614	2-15/16	2-1/4	2-1/4	4-5/8	1-27/64		21/32	1-1/4	12.4	9.4
28	80SF28H	B	SF	9.480	8.931	2-15/16	2-1/4	2-1/4	4-5/8	1-27/64		21/32	1-1/4	13.2	10.2
30	80SF30H	B	SF	10.110	9.567	2-15/16	2-1/4	2-1/4	4-5/8	1-27/64		21/32	1-1/4	14.3	11.3
32	80SF32H	B	SF	10.750	10.202	2-15/16	2-1/4	2-1/4	4-5/8	1-27/64		21/32	1-1/4	16.0	13.0
33	80SF33H	B	SF	11.070	10.520	2-15/16	2-1/4	2-1/4	4-5/8	1-27/64		21/32	1-1/4	16.5	13.5
34	80SF34H	B	SF	11.390	10.838	2-15/16	2-1/4	2-1/4	4-5/8	1-27/64		21/32	1-1/4	17.1	14.1
35	80SF35H	B	SF	11.710	11.156	2-15/16	2-1/4	2-1/4	4-5/8	1-27/64		21/32	1-1/4	18.5	15.5
36	80SF36H	B	SF	12.030	11.474	2-15/16	2-1/4	2-1/4	4-5/8	1-27/64		21/32	1-1/4	19.9	16.9
40	80SF40	B	SF	13.310	12.746	2-15/16	2-1/4	2-1/4	4-5/8	1-27/64		21/32	1-1/4	23.6	20.6
42	80SF42	B	SF	13.940	13.382	2-15/16	2-1/4	2-1/4	4-5/8	1-27/64		21/32	1-1/4	25.4	22.4
45	80SF45	B	SF	14.900	14.336	2-15/16	2-1/4	2-1/4	4-5/8	1-27/64		21/32	1-1/4	28.1	25.1
48	80SF48	B	SF	15.860	15.290	2-15/16	2-1/4	2-1/4	4-5/8	1-27/64		21/32	1-1/4	31.6	28.6
54	80SF54	B	SF	17.770	17.198	2-15/16	2-1/4	2-1/4	4-5/8	1-27/64		21/32	1-1/4	39.8	36.8
60	80SF60	B	SF	19.680	19.107	2-15/16	2-1/4	2-1/4	4-5/8	1-27/64		21/32	1-1/4	48.8	45.8
70	80E70	C	E	22.870	22.289	3-1/2	2-5/8	2-15/16	6	7/8	1-3/16	1-3/64	1-5/8	65.6	55.6
72	80E72	C	E	23.500	22.926	3-1/2	2-5/8	2-15/16	6	7/8	1-3/16	1-3/64	1-5/8	69.3	59.3
80	80E80	C	E	26.050	25.471	3-1/2	2-5/8	2-15/16	6	7/8	1-3/16	1-3/64	1-5/8	79.2	69.2
84	80E84	C	E	27.330	26.744	3-1/2	2-5/8	2-15/16	6	7/8	1-3/16	1-3/64	1-5/8	84.9	74.9
96	80E96	C	E	31.150	30.563	3-1/2	2-5/8	2-15/16	6	7/8	1-3/16	1-3/64	1-5/8	108.0	97.5
112	80F112	C	F	36.240	35.655	3-15/16	3-5/8	4	6-5/8	1	2-1/16	1-59/64	2-1/2	145.0	134.0

H - Denotes hardened teeth.